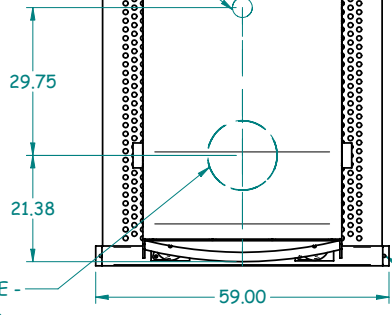


7 6 5 4 3 2 1

LAST LETTER USED: -

REVISIONS					
ZONE	LTR	DESCRIPTION	CHG NO	DATE	APPROVED

SECONDARY LIQUID DISCHARGE - 4" FPT (ON BOTTOM) 6" OPENING FOR PIPE MINIMUM (5)



ELECTRICAL CONNECTION - 480 V, 60 HZ, 3 PHASE, 30 A (1)

MACHINE CONTROL PANEL

SLUDGE DISCHARGE - 14" ID OPENING (ON BOTTOM) (3)

MACHINE STAND (STANDARD)

45.00 MIN CLEARANCE FOR REMOVAL OF ROTATING ASSY

NO.	ITEM	REQUIREMENTS
1	ELECTRICAL CONNECTION	480V, 60-HZ, 3 PHASE, 30A SERVICE 240V, 60-HZ, 3 PHASE, 60A SERVICE
2	FEED CONNECTION (1.00 NPT)	UP TO 40 GPM @ 15 PSI
3	SLUDGE DISCHARGE (14" DIA OPENING)	SLUDGE COLLECTION VESSEL BELOW
4	PRIMARY DISCHARGE CONNECTION (4" NPT)	GRAVITY DISCHARGE
5	SECONDARY DISCHARGE CONNECTION (4" NPT)	GRAVITY DISCHARGE

NOTES:

- 1) ALL MOUNTING POINTS AND CONNECTIONS ARE SHOWN.
- 2) BASIC INSTALLATION SHOWN. ACTUAL SYSTEMS MAY VARY SLIGHTLY FROM SYSTEM SHOWN.

PRIMARY LIQUID DISCHARGE - 4" FPT BOTH SIDES (ONLY 1 REQ'D) (4)

108.26

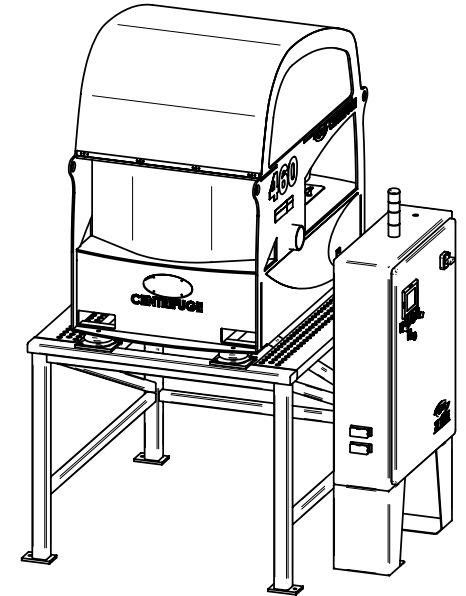
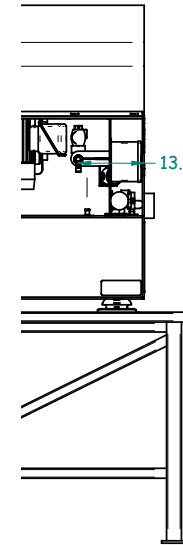
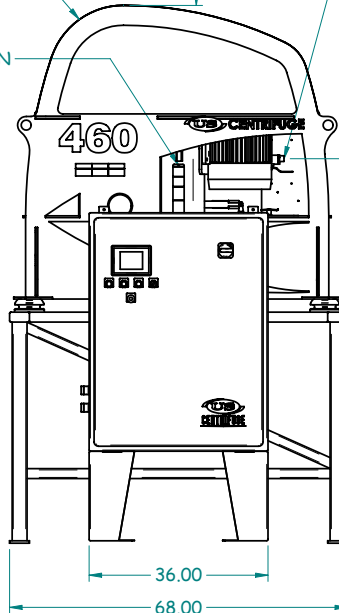
67.88

42.50

A460 CENTRIFUGE

INDICATOR BEACON

FEED CONNECTIONS - 1" FPT (2)



COMPANY CONFIDENTIAL

THIS DRAWING IS THE PROPERTY OF US CENTRIFUGE AND IT MUST BE ACCOUNTED FOR AND RETURNED UPON DEMAND. INFORMATION HEREIN IS COMPANY CONFIDENTIAL AND MUST NOT BE COPIED, REPRODUCED, DUPLICATED, DISCLOSED TO OTHERS IN WHOLE OR IN PART, OR SENT OUTSIDE THE COMPANY WITHOUT WRITTEN AUTHORIZATION.

UNLESS OTHERWISE SPECIFIED DIMENSIONS ARE IN INCHES.			DWG NO.	L10253	
TOLERANCE ON 2 PLACE 3 PLACE ANGLE +0.1 +0.05 +0.30			TITLE	INSTALLATION - A460-2005 BASIC	
THIRD ANGLE PROJECTION		DRAWN BY	J. BERGER	DATE	3/26/05
NEXT ASSY	A460-2005	CHK	S. BEHRENS	DATE	
APPLICATION	SEE TABLE	ENGR	J. BERGER	DATE	
		FINAL	S. BEHRENS	DATE	
		SCALE	1/12.5	SHEET	1/1

7 6 5 4 3 2 1